

CL233X(MEM)

Plastic Capacitors



# 金属化聚酯膜超小型盒装电容器 Metallized Polyester Film Capacitors-Mini Box

## ■采用标准reference standards

GB7332 /IEC60384-2

## ■结构

介质: 聚酯膜

电极: 金属真空蒸发层

封装: 阻燃环氧树脂, 符合UL94 V-0

外壳: 阻燃PBT塑壳, 符合UL94 V-0

## ■外形图

### ■典型应用

直流及低脉冲场合, 彩电及程控交换机等

如: 低频滤波、隔直流及旁路等

### ■特点

外观一致性好; 有良好自愈性; 抗湿性强; 体积小等

### ■structure

Dielectric: polyester film

Electrode: metal vacuum evaporation layer

Encapsulation: flame retardant epoxy resin, conforming to UL94 V-0

Shell: flame retardant PBT plastic shell, conforming to UL94 V-0

### ■typical application

DC or low pulse occasion, colorful TV and SPC etc.

e.g. low frequency filtering, DC blocking, bypass circuit etc.

### ■characteristics

good appearance consistency, good self-healing property.

good resistance to humidity; small in size.

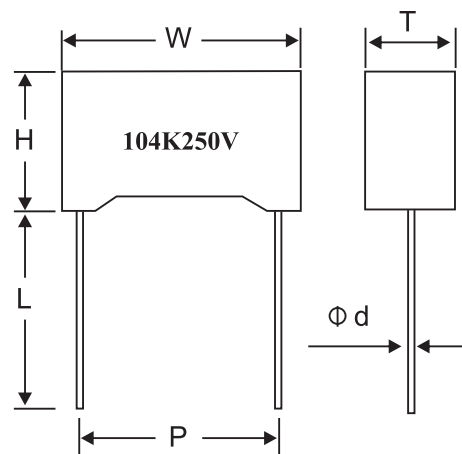
### ■引线规格Lead specification

电容器厚度 Thickness	≤3.5mm	>3.5mm	M type
引线直径 Pin Diameter mm	0.5	0.6	P=5

### ■符合ROHS标准 conform to ROHS standards

### ■技术参数 technical parameter

气候条件 Climatic Conditions	-40~+85°C/56d		
额定电压 Rated Voltage	100VDC、250VDC		
容量误差 allowable tolerance	J- ±5% K- ±10% M- ±20%		
容量范围 Capacitance Range	0.001 μF-1.0 μF	20°C; 1V测试电压 0°C; 1V testing voltage	
耐电压 Voltage Proof	端子与端子terminal to terminal: 1.6UR; 5S 端子与外壳terminal to shell: 2000VAC 5S		无击穿或电弧 No breakdown or electric arcing
损耗角 Dissipation Factor	≤0.0100 1KHZ		20°C; 1V测试电压 0°C; 1V testing voltage
绝缘电阻或时间常数 Insulation resistance or time constant	CR ≤ 0.33 μF	UR > 100V	IR ≥ 7500MΩ
		UR ≤ 100V	IR ≥ 3750S(MΩ·μF)
	CR ≤ 0.33 μF	UR > 100V	IR ≥ 2500MΩ
		UR ≤ 100V	IR ≥ 1250S(MΩ·μF)
稳态湿热 Steady-state damp heat	温度temperature: 40 ± 2°C 湿度humidity: 93%RH 持续时间duration: 56天		无可见损伤, 标志清晰 no visible damage, clear mark IR: ≥ 额定值的50% IR: ≥ 50% of rated value 电容量capacitance: ΔC/C ≤ 5% 损耗角dissipation factor(1KHZ): 增加rise ≤ 0.0100
耐久性试验 durability test	+85(105)°C, 连续1000小时 施加电压: 1.25 × 额定电压 +85(105)°C, 1000h Applied voltage: 1.25 × rated voltage		绝缘电阻IR: ≥ 额定值的50% 电容量: ΔC/C ≤ 10% Insulation Resistance: = 50% of Rated Capacitance: ΔC/C ≤ 10%
注: 可根据客户使用定制容量产品, 具体参数依据承认书资料为准。 Note: Products capacitance can be customized, specific parameter according to documents.			



# 金属化聚酯膜超小型盒装电容器

## Metallized Polyester Film Capacitors-Mini Box

**规格尺寸表 specification table**

容量 Cap. $\mu F$	成品编码 Part No.	外形尺寸(mm) Dimension			容量 Cap. $\mu F$	成品编码 Part No.	外形尺寸(mm) Dimension		
		W $\pm 0.4$	T $\pm 0.4$	H $\pm 0.4$			W $\pm 0.4$	T $\pm 0.4$	H $\pm 0.4$
50/63VDC									
0.001	MEM102K0M1-##**	7.2	2.5	6.5	0.039	MEM393K0M1-##**	7.2	2.5	6.5
0.0012	MEM122K0M1-##**	7.2	2.5	6.5	0.047	MEM473K0M1-##**	7.2	2.5	6.5
0.0015	MEM152K0M1-##**	7.2	2.5	6.5	0.056	MEM563K0M1-##**	7.2	2.5	6.5
0.0018	MEM182K0M1-##**	7.2	2.5	6.5	0.068	MEM683K0M1-##**	7.2	2.5	6.5
0.0022	MEM222K0M1-##**	7.2	2.5	6.5	0.082	MEM823K0M1-##**	7.2	2.5	6.5
0.0027	MEM272K0M1-##**	7.2	2.5	6.5	0.1	MEM104K0M1-##**	7.2	2.5	6.5
0.0033	MEM332K0M1-##**	7.2	2.5	6.5	0.12	MEM124K0M1-##**	7.2	2.5	6.5
0.0039	MEM392K0M1-##**	7.2	2.5	6.5	0.15	MEM154K0M2-##**	7.2	3.5	7.5
0.0047	MEM472K0M1-##**	7.2	2.5	6.5	0.18	MEM184K0M2-##**	7.2	3.5	7.5
0.0056	MEM562K0M1-##**	7.2	2.5	6.5	0.22	MEM224K0M2-##**	7.2	3.5	7.5
0.0068	MEM682K0M1-##**	7.2	2.5	6.5	0.27	MEM274K0M3-##**	7.2	4.5	9.5
0.0082	MEM822K0M1-##**	7.2	2.5	6.5	0.33	MEM334K0M3-##**	7.2	4.5	9.5
0.01	MEM103K0M1-##**	7.2	2.5	6.5	0.39	MEM394K0M3-##**	7.2	4.5	9.5
0.012	MEM123K0M1-##**	7.2	2.5	6.5	0.47	MEM474K0M4-##**	7.2	5.0	10.0
0.015	MEM153K0M1-##**	7.2	2.5	6.5	0.56	MEM564K0M4-##**	7.2	5.0	10.0
0.018	MEM183K0M1-##**	7.2	2.5	6.5	0.68	MEM684K0M5-##**	7.2	6.0	11.0
0.022	MEM223K0M1-##**	7.2	2.5	6.5	0.82	MEM824K0M5-##**	7.2	6.0	11.0
0.027	MEM273K0M1-##**	7.2	2.5	6.5	1.0	MEM105K0M5-##**	7.2	6.0	11.0
0.033	MEM333K0M1-##**	7.2	2.5	6.5					
100VDC									
0.001	MEM102K1M1-##**	7.2	2.5	6.5	0.022	MEM223K1M1-##**	7.2	2.5	6.5
0.0012	MEM122K1M1-##**	7.2	2.5	6.5	0.039	MEM393K1M1-##**	7.2	2.5	6.5
0.0015	MEM152K1M1-##**	7.2	2.5	6.5	0.047	MEM473K1M1-##**	7.2	2.5	6.5
0.0018	MEM182K1M1-##**	7.2	2.5	6.5	0.056	MEM563K1M1-##**	7.2	2.5	6.5
0.0022	MEM222K1M1-##**	7.2	2.5	6.5	0.068	MEM683K1M1-##**	7.2	2.5	6.5
0.0027	MEM272K1M1-##**	7.2	2.5	6.5	0.082	MEM823K1M1-##**	7.2	2.5	6.5
0.0033	MEM332K1M1-##**	7.2	2.5	6.5	0.1	MEM104K1M2-##**	7.2	3.5	7.5
0.0039	MEM392K1M1-##**	7.2	2.5	6.5	0.12	MEM124K1M3-##**	7.2	4.5	9.5
0.0047	MEM472K1M1-##**	7.2	2.5	6.5	0.15	MEM154K1M3-##**	7.2	4.5	9.5
0.0056	MEM562K1M1-##**	7.2	2.5	6.5	0.18	MEM184K1M3-##**	7.2	4.5	9.5
0.0068	MEM682K1M1-##**	7.2	2.5	6.5	0.22	MEM224K1M4-##**	7.2	5.0	10.0
0.0082	MEM822K1M1-##**	7.2	2.5	6.5	0.27	MEM274K1M4-##**	7.2	5.0	10.0
0.01	MEM103K1M1-##**	7.2	2.5	6.5	0.33	MEM334K1M5-##**	7.2	6.0	11.0
0.012	MEM123K1M1-##**	7.2	2.5	6.5	0.39	MEM394K1M5-##**	7.2	6.0	11.0
0.015	MEM153K1M1-##**	7.2	2.5	6.5	0.47	MEM474K1M5-##**	7.2	6.0	11.0
0.018	MEM183K1M1-##**	7.2	2.5	6.5	0.56	MEM564K1M5-##**	7.2	6.0	11.0

# 金属化聚酯膜超小型盒装电容器

## Metallized Polyester Film Capacitors-Mini Box

**规格尺寸表 specification table**

容量 Cap. $\mu F$	成品编码 Part No.	外形尺寸(mm) Dimension			容量 Cap. $\mu F$	成品编码 Part No.	外形尺寸(mm) Dimension		
		W $\pm 0.4$	T $\pm 0.4$	H $\pm 0.4$			W $\pm 0.4$	T $\pm 0.4$	H $\pm 0.4$
250VDC									
0.001	MEM102K2M1-##**	7.2	2.5	6.5	0.015	MEM153K2M1-##**	7.2	2.5	6.5
0.0012	MEM122K2M1-##**	7.2	2.5	6.5	0.018	MEM183K2M1-##**	7.2	2.5	6.5
0.0015	MEM152K2M1-##**	7.2	2.5	6.5	0.022	MEM223K2M2-##**	7.2	3.5	7.5
0.0018	MEM182K2M1-##**	7.2	2.5	6.5	0.027	MEM273K2M2-##**	7.2	3.5	7.5
0.0022	MEM222K2M1-##**	7.2	2.5	6.5	0.033	MEM333K2M2-##**	7.2	3.5	7.5
0.0027	MEM272K2M1-##**	7.2	2.5	6.5	0.039	MEM393K2M2-##**	7.2	3.5	7.5
0.0033	MEM332K2M1-##**	7.2	2.5	6.5	0.047	MEM473K2M3-##**	7.2	4.5	9.5
0.0039	MEM392K2M1-##**	7.2	2.5	6.5	0.056	MEM563K2M3-##**	7.2	4.5	9.5
0.0047	MEM472K2M1-##**	7.2	2.5	6.5	0.068	MEM683K2M3-##**	7.2	4.5	9.5
0.0056	MEM562K2M1-##**	7.2	2.5	6.5	0.082	MEM823K2M4-##**	7.2	5.0	10.0
0.0068	MEM682K2M1-##**	7.2	2.5	6.5	0.1	MEM104K2M4-##**	7.2	5.0	10.0
0.0082	MEM822K2M1-##**	7.2	2.5	6.5	0.12	MEM124K2M5-##**	7.2	6.0	11.0
0.01	MEM103K2M1-##**	7.2	2.5	6.5	0.15	MEM154K2M5-##**	7.2	6.0	11.0
0.012	MEM123K2M1-##**	7.2	2.5	6.5					
400VDC									
0.001	MEM102K4M1-##**	7.2	2.5	6.5	0.0082	MEM822K4M2-##**	7.2	3.5	7.5
0.0012	MEM122K4M1-##**	7.2	2.5	6.5	0.01	MEM103K4M2-##**	7.2	3.5	7.5
0.0015	MEM152K4M1-##**	7.2	2.5	6.5	0.012	MEM123K4M3-##**	7.2	4.5	9.5
0.0018	MEM182K4M1-##**	7.2	2.5	6.5	0.015	MEM153K4M3-##**	7.2	4.5	9.5
0.0022	MEM222K4M1-##**	7.2	2.5	6.5	0.018	MEM183K4M3-##**	7.2	4.5	9.5
0.0027	MEM272K4M1-##**	7.2	2.5	6.5	0.022	MEM223K4M4-##**	7.2	5.0	10.0
0.0033	MEM332K4M1-##**	7.2	2.5	6.5	0.027	MEM273K4M5-##**	7.2	6.0	11.0
0.0039	MEM392K4M1-##**	7.2	2.5	6.5	0.033	MEM333K4M5-##**	7.2	6.0	11.0
0.0047	MEM472K4M1-##**	7.2	2.5	6.5	0.039	MEM393K4M5-##**	7.2	6.0	11.0
0.0056	MEM562K4M2-##**	7.2	3.5	7.5	0.047	MEM473K4M5-##**	7.2	6.0	11.0
0.0068	MEM682K4M2-##**	7.2	3.5	7.5					
630VDC									
0.001	MEM102K6M1-##**	7.2	2.5	6.5	0.0047	MEM472K6M3-##**	7.2	4.5	9.5
0.0012	MEM122K6M1-##**	7.2	2.5	6.5	0.0056	MEM562K6M3-##**	7.2	4.5	9.5
0.0015	MEM152K6M1-##**	7.2	2.5	6.5	0.0068	MEM682K6M3-##**	7.2	4.5	9.5
0.0018	MEM182K6M2-##**	7.2	3.5	7.5	0.0082	MEM822K6M3-##**	7.2	4.5	9.5
0.0022	MEM222K6M2-##**	7.2	3.5	7.5	0.01	MEM103K6M4-##**	7.2	5.0	10.0
0.0027	MEM272K6M2-##**	7.2	3.5	7.5	0.012	MEM123K6M5-##**	7.2	6.0	11.0
0.0033	MEM332K6M2-##**	7.2	3.5	7.5	0.015	MEM153K6M5-##**	7.2	6.0	11.0
0.0039	MEM392K6M2-##**	7.2	3.5	7.5					