

## 电容降压专用金属化聚丙烯膜交流电容器(盒装型)

### Metallized Polypropylene A.C. Film Capacitor For Capacitive Divider-Box

#### ■ 外形图Outline

#### ■ 特点

专门设计用在100~250vac电源串联的电容降压电路场合，如电表；LED驱动模块等  
 金属化聚丙烯膜  
 自愈性能优异，能承受浪涌电压冲击  
 长期负载下优异的电容容量稳定性  
 优异的防潮性能  
 优异的阻燃性能(UL94V-0)

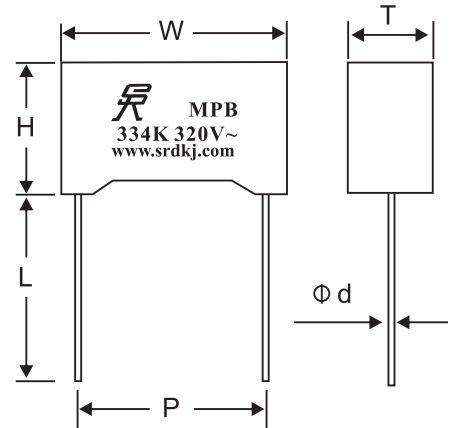
#### ■ 符合ROHS.REACH等标准

#### ■ Feature

Specially designed for using in a step-down series circuit of a capacitor during 100 ~ 250vac, such as the meter, LED drive module, etc.  
 Metallized polypropylene film  
 Excellent self-healing properties, be able to withstand the impact of the surge voltage  
 Excellent capacitance stability in long-term overload condition  
 Excellent moisture resistance  
 Excellent flame retardant properties(UL94V-0)

#### ■ In accordance with ROHS and REACH

#### ■ 技术参数 technical parameter



引用标准 Reference Standard	GB/T14579(IEC60384-17)	
气候条件 Climatic Conditions	40/110°C/56d	
工作温度 Working Temperature	-40°C ~ +110°C	
额定电压 Rated Voltage	230Vac,50/60Hz	320Vac,50/60Hz
容量范围 Capacitance Range	0.01 μF-4.7 μF	0.01 μF-2.2 μF
容量误差 Capacitance Tolerance	J- ± 5% K- ± 10% M- ± 20%	
耐电压 Proof Voltage	端子与端子：4.3UR(VDC)5S Terminal to Terminal 端子与外壳：2000VAC 5S Terminal to Shell	无击穿或飞弧 No breakdown or electric arcing
损耗角 Dissipation Factor	≤0.0010 1KHZ	20°C；1V测试电压testing voltage
绝缘电阻或时间常数 Insulation resistance or time constant	CR ≤ 0.33 μF IR ≥ 30000MΩ CR > 0.33 μF IR ≥ 10000S(MΩ · μF)	充电电压100V 20°C Charging Voltage 充电1min测试后测得 And charging test 1min
耐湿负荷测试 Humidity Test	温度85±2°C，湿度85%±2% Temperature Humidity 连续工作1000小时 Continuous working 1000 hours 施加电压：额定电压UR Applied voltage: rated voltage UR	电容量衰减量：ΔC/C ≤ 10% Capacitance attenuation 损耗角衰减量：ΔTgδ ≤ 0.5%(1KHZ) Dissipation Factor attenuation 绝缘电阻值：IR ≥ 50% IR ; IR ≥ 50%
注：可根据客户使用定制容量产品，具体参数依据承认书资料为准。 Note: Products capacitance can be customized, specific parameter according to documents.		

电容降压专用金属化聚丙烯膜交流电容器(盒装型)  
Metallized Polypropylene A.C. Film Capacitor For Capacitive Divider-Box

■B32产品编码规则Production Coding Rules

一. 15位产品代码规定如下The coding rule of 15 digits of capacitor is as follows:



二. 各部分组成内容Contents of each part

型号代码(第1~3位数)Type(Digits from 1~3<sup>th</sup>)

B32 电容降压专用金属化聚丙烯膜交流电容器(盒装型)

B32 Metallized Polypropylene Film A.C. Capacitor For Capacitive Divider-Box

标称容量(第4~6位数)Nominal Capacitance(Digit from 4~6<sup>th</sup>)

例如e.g.: 104 =  $10 \times 10^4$  pF = 0.1  $\mu$ F

标容量误差代码(第7位数)Capacitance Tolerance Code(Digit 7<sup>th</sup>)

例如e.g.: J =  $\pm 5\%$  K =  $\pm 10\%$  M =  $\pm 20\%$

额定电压(第8位数)Rated Voltage(Digit 8<sup>th</sup>)

9----230Vac V----320Vac

塑壳代码(第9~10位数)Code for plastic case : (from 9~10<sup>th</sup>)

代码code	壳号case	代码code	壳号case	代码code	壳号case	代码code	壳号case	代码code	壳号case	代码code	壳号case
M1	M1	C1	C1	D5	D5	E5	E5	E1	E1	F8	F8
M2	M2	C2	C2	D7	D7	E6	E6	E2	E2	G1	TB5
M3	M3	C3	C3	D8	D8-3	E7	E7	E3	E3	G2	F14
M4	M4	CA	C5-1	DA	DA	F1	F1	E4	E4	G3	TB4
M5	M5	D1	D1	D3	D3	F2	F2	F4	F4	G4	TB23
M6	M6	D2	D2	D4	D4	F3	F3	F7	F7	G5	TB20

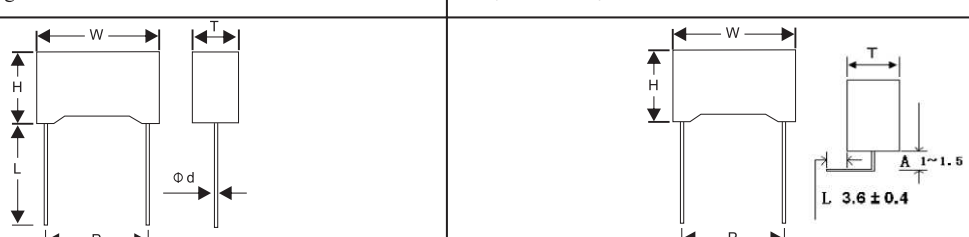
商标+塑壳颜色(第11位数)Mark+Plastic Case Color(Digit 11<sup>th</sup>)

代码code	商标+ 塑壳颜色 Mark+Plastic Case Color	代码code	商标+ 塑壳颜色 Mark+Plastic Case Color	代码code	商标+ 塑壳颜色 Mark+Plastic Case Color
R	SRD + 灰色激光打印 SRD + Grey, laser printing	B	SRD + 蓝色激光打印 SRD + Blue, laser printing	T	SRD + 黑色激光打印 SRD + Black, laser printing
S	SRD + 黄色无字激光打印 SRD + Yellow, no word laser printing				

内部识别码(第12~13位数)Internal Identification Code(from 12~13<sup>th</sup>)

外形加工识别码(第14~15位数)Outline Working Identification Code(from 14~15<sup>th</sup>)

说明: 标准引线长度为13mm Note: The standard length of the lead is 13mm

切引线标准长度(mm) The Cutting Length	3.0 ± 0.5	3.5 ± 0.5	4.0 ± 0.5	4.5 ± 0.5	5.0 ± 0.5	5.5 ± 0.5
直切脚加工图形 Straight-cut leads outline						
弯切脚加工图形 Bend-cut leads outline						

# 电容降压专用金属化聚丙烯膜交流电容器(盒装型)

## Metallized Polypropylene A.C. Film Capacitor For Capacitive Divider-Box

**规格尺寸表specification table**

容量 Cap. μF	成品编码 Part No.	外形尺寸(mm)±0.5 Dimention				容量 Cap. μF	成品编码 Part No.	外形尺寸(mm)±0.5 Dimention			
		W	T	H	P			W	T	H	P
230VAC											
0.01	B32103K9C2-####	13	5	11	10	0.82	B32824K9E4-####	26.5	10	19	22.5
0.015	B32153K9C2-####	13	5	11	10	1.0	B32105K9E5-####	26.5	11	20	22.5
0.022	B32223K9C2-####	13	5	11	10	1.2	B32125K9E5-####	26.5	11	20	22.5
0.033	B32333K9C2-####	13	5	11	10	1.5	B32155K9E6-####	26.5	12	21.5	22.5
0.047	B32473K9C2-####	13	5	11	10	0.47	B32474K9F1-####	31.5	10.8	19.5	27.5
0.056	B32563K9C2-####	13	5	11	10	0.56	B32564K9F1-####	31.5	10.8	19.5	27.5
0.068	B32683K9C3-####	13	6	12	10	0.68	B32684K9F1-####	31.5	10.8	19.5	27.5
0.1	B32104K9C3-####	13	6	12	10	0.82	B32824K9F1-####	31.5	10.8	19.5	27.5
0.1	B32104K9D1-####	18	5	11	15	1.0	B32105K9F1-####	31.5	10.8	19.5	27.5
0.15	B32154K9D2-####	18	6	12	15	1.2	B32125K9F1-####	31.5	10.8	19.5	27.5
0.22	B32224K9D3-####	18	7.5	13.5	15	1.5	B32155K9F1-####	31.5	10.8	19.5	27.5
0.33	B32334K9D4-####	18	8.4	14.5	15	2.0	B32205K9F2-####	31.5	13	21.6	27.5
0.47	B32474K9DA-####	18	10	15.8	15	2.2	B32225K9F3-####	31.5	14	23	27.5
0.33	B32334K9E1-####	26.5	6	15	22.5	3.0	B32305K9F7-####	31.5	18	26	27.5
0.33	B32474K9E2-####	26.5	7	16.5	22.5	3.3	B32335K9F8-####	31.5	22	31	27.5
0.56	B32564K9E3-####	26.5	8.5	17	22.5	4.0	B32405K9F8-####	31.5	22	31	27.5
0.68	B32684K9E3-####	26.5	8.5	17	22.5	4.7	B32475K9F8-####	31.5	22	31	27.5
320VAC											
0.01	B32103KVC2-####	12.2	5	11	10	0.22	B32224KVE2-####	26.5	7	16.5	22.5
0.015	B32153KVC3-####	13	6	12	10	0.33	B32334KVE3-####	26.5	8.5	17	22.5
0.022	B32223KVC3-####	13	6	12	10	0.39	B32394KVE4-####	26.5	10	19	22.5
0.033	B32333KVC3-####	13	6	12	10	0.47	B32474KVE4-####	26.5	10	19	22.5
0.047	B32473KVD2-####	18	6	12	15	0.56	B32564KVE5-####	26.5	11	20	22.5
0.056	B32563KVD2-####	18	6	12	15	0.68	B32684KVE7-####	26.5	13	23	22.5
0.1	B32104KVD2-####	18	6	12	15	1.0	B32105KVF2-####	32	13	21.5	27.5
0.12	B32124KVD3-####	18	7.5	13.5	15	1.2	B32125KVF3-####	32	14	25	27.5
0.15	B32154KVD3-####	18	7.5	13.5	15	1.5	B32155KVF7-####	32	18	26	27.5
0.18	B32184KVD4-####	18	8.4	14.5	15	2.0	B32205KVF7-####	32	22	31	27.5
0.22	B32224KVDA-####	18	10	15.8	15	2.2	B32225KVF7-####	32	22	31	27.5