

焊机专用电容器

Plastic Capacitors



金属化聚丙烯膜箔式轴向电容器

Metallized Polypropylene Film Capacitors-Axial

■采用标准reference standards

GB10188(IEC60384-13)

■结构

介质: 聚丙烯膜

电极: 金属真空蒸发层

封装: PET胶带包裹,

两端用阻燃环氧树脂灌封

■典型应用

滤波及脉冲大电流场合, 如功放,

焊机等

■特点

有良好自愈性; 高频损耗小, 温升低

抗高冲击强度, 高频交流条件下有良好的耐压性能

■structure

Dielectric: Polypropylene film

Electrode: metal vacuum evaporation layer

Encapsulation: PET tape wrapping, encapsulated with flame retardant epoxy resin at both ends

■ typical application

filter and large pulse current Occasions, like power amplifier, soldering machine etc.

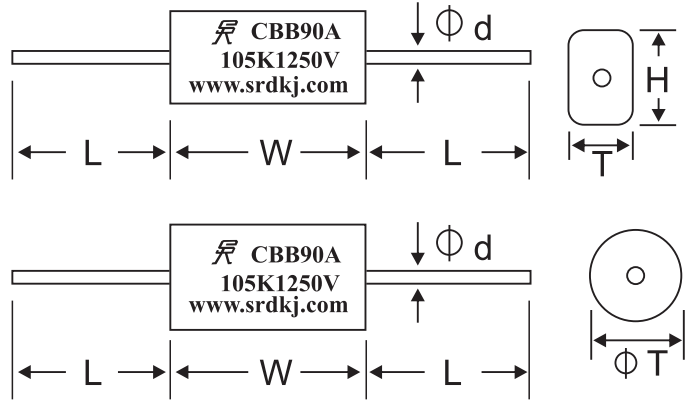
■characteristics

Small volume with good self-healing property, low dissipation at high frequency, low temperature rise,

high dielectric strength. Good property to withstand voltage at high frequency in alternating current occasion.

■符合ROHS标准 conform to ROHS standards

■技术参数 technical parameter



气候条件 Climatic Conditions	-40+85(105)°C/56d	
额定电压 Rated Voltage	1000VDC、1250VDC、1600VDC、2000VDC	
容量误差 Capacitance Tolerance	J-±5% K-±10% M-±20%	
容量范围 Capacitance Range	0.033 μ F-18 μ F	20°C; 1V测试电压 20°C; 1V testing voltage
耐电压 Voltage Proof	端子与端子Terminal to terminal; 2.0UR; 5S	无击穿或飞弧 No breakdown or electric arcing
损耗角 Dissipation Factor	≤0.0030 10KHZ	20°C; 1V测试电压 20°C; 1V testing voltage
绝缘电阻或时间常数 Insulation resistance or time constant	CR ≤ 0.1 μ F IR ≥ 30000MΩ CR > 0.1 μ F IR ≥ 10000S(MΩ . μ F)	UR ≤ 500V, 充电电压charging voltage 100V UR > 500V, 充电电压charging voltage 500V 20°C; 充电1min测试后测得 testing time: 1 min later after charging
注: 可根据客户使用定制容量产品, 具体参数依据承认书资料为准。 Note: Products capacitance can be customized, specific parameter according to documents.		

焊机专用电容器

Plastic Capacitors



金属化聚丙烯膜箔式轴向电容器

Metallized Polypropylene Film Capacitors-Axial

■ 产品规格尺寸表specification table

型号规格 specification	容量 capacitanc	额定电压 rated voltage	成品尺寸 final product dimension(mm)			型号规格 specification	容量 capacitanc	额定电压 rated voltage	成品尺寸 final product dimension(mm)			
	μ F		Wmax	Tmax	Hmax		μ F		Wmax	Tmax	Hmax	P
CBB90	20	250V	58	31	41	CBB21	0.1	250V	13	6	10	10
CBB90	30	250V	58	39	48	CBB21	0.22	250V	18	8	10	15
CBB90	2.2	630V	35	15	25	CBB21	1.0	250V	24	10	17	20
CBB90	3.3	630V	50	17	25	CBB21	2.2	250V	24	14	23	20
CBB90	10	630V	58	26	38	CBB21	4.7	250V	29	15	23	25
CBB90	20	630V	41	26	50	CBB21	2.2	400V	24	14	23	20
CBB90	0.47	1250V	35	18	26	CBB21	4.7	400V	29	15	23	25
CBB90	1.0	1250V	35	27	35	CBB21	1.0	630V	30	13	22	27.5
CBB90	0.47	1250V	35			CBB21	2.2	630V	35	18	26	31.5
CBB90	1.0	1250V	35			CBB21	3.3	630V	35	22	31	31.5